



Exedra2

SALICE

Exedra2



Exedra2 Star and **Exedra2 Smart** are evolutions of the Exedra system, which, thanks to an innovatively-engineered mechanism, enable the simultaneous movement of two linked doors. It is a patented mechanism with assisted door extraction and door insertion, operated by a magnetically-assisted motion-control system that confers a smooth and perfectly balanced movement.

Thanks to the motion-control system, the handle can be fixed at the edges of the doors, allowing effortless opening and closing with one hand. Furthermore, with the aid of the electric Push kit, it is possible to use both versions on handle-less furniture.

The whole mechanism is self-supporting and fixed to the side of the cabinet; there are no load-bearing front profiles on either the top or bottom of the cabinet, thus eliminating any need for additional central supports.

Exedra2 Star and **Exedra2 Smart** can be used in a host of application to enable a significant functional optimization of space, from walk-in wardrobes to pantries for kitchens, home office solutions and in storage applications.



Exedra2 Star • Exedra2 Smart



Technical Information

DOUBLE pocket door system with cam-assisted door extraction and cushioned door insertion.

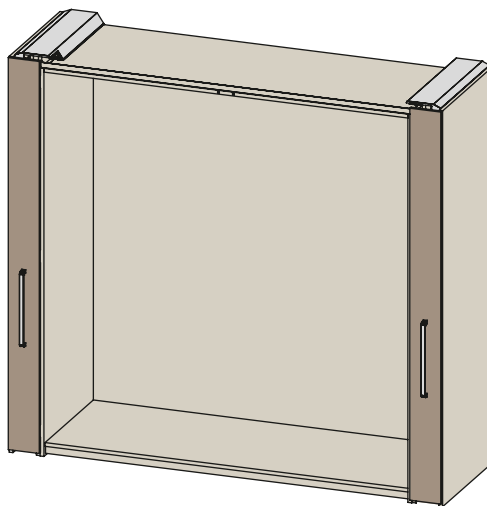
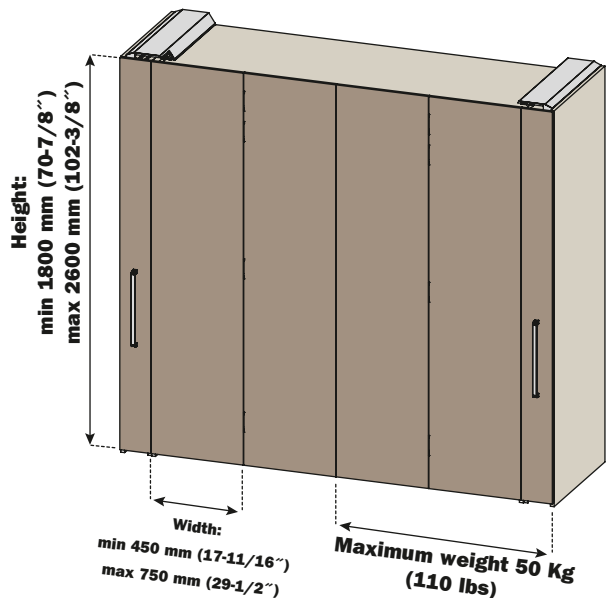
Door characteristics:

Adjustment:

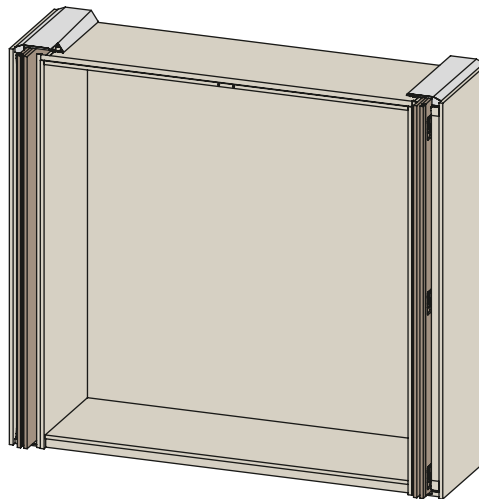
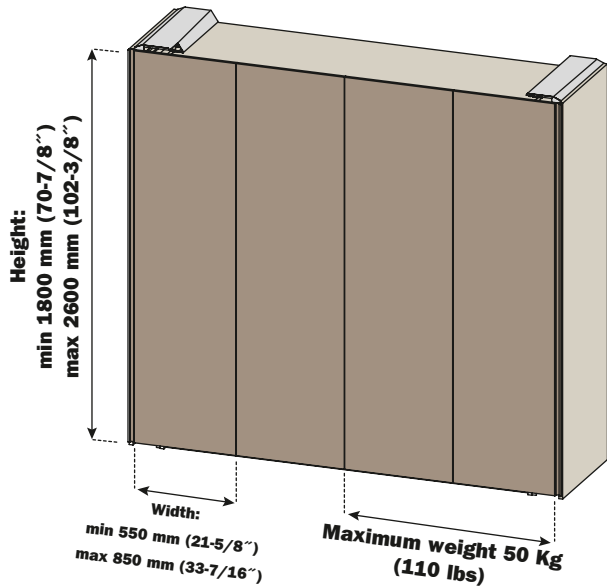
- vertical adjustment ± 5 mm
- horizontal adjustment ± 3.5 mm
- front adjustment: - upper ± 3 mm
- lower ± 2 mm

- Maximum weight for single door: 25 Kg (55 lbs)
- Doors thickness: min 18 mm (3/4") - max 25 mm (1")
- Width of single door – Exedra2 Star: min 450 mm (17-11/16") - max 750 mm (29-1/2")
- Width of single door – Exedra2 Smart: min 550 mm (21-5/8") - max 850 mm (33-7/16")
- Doors height: min 1800 mm (70-7/8") - max 2600 mm (102-3/8")

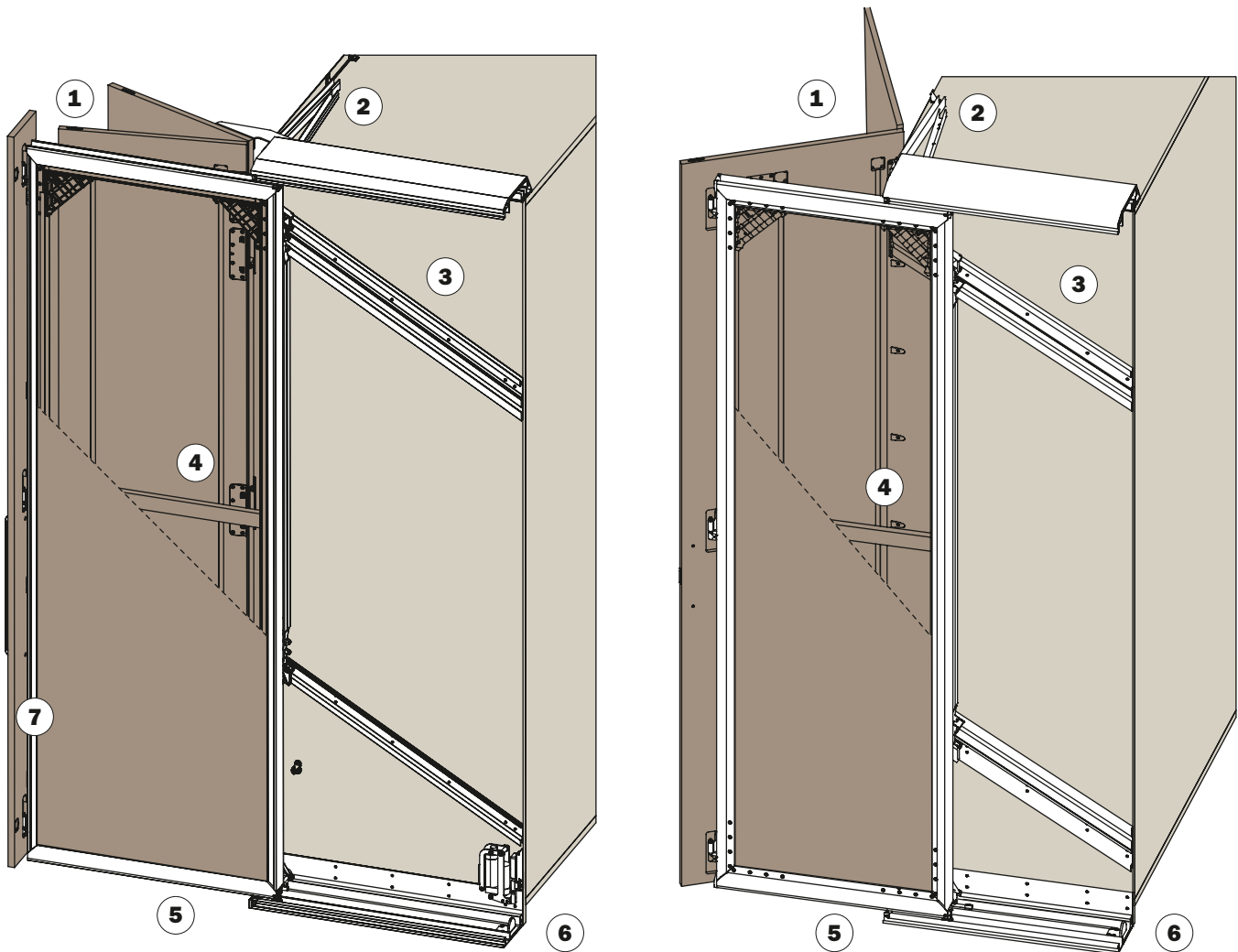
Exedra2 Star



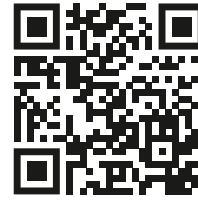
Exedra2 Smart



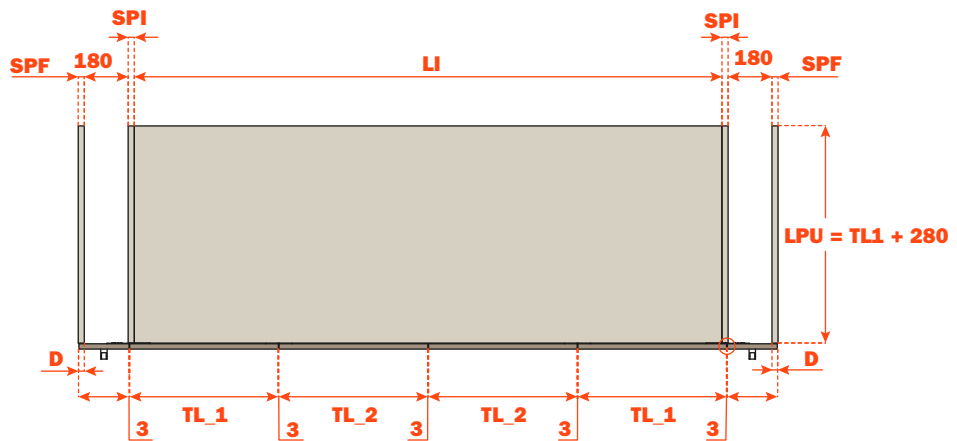
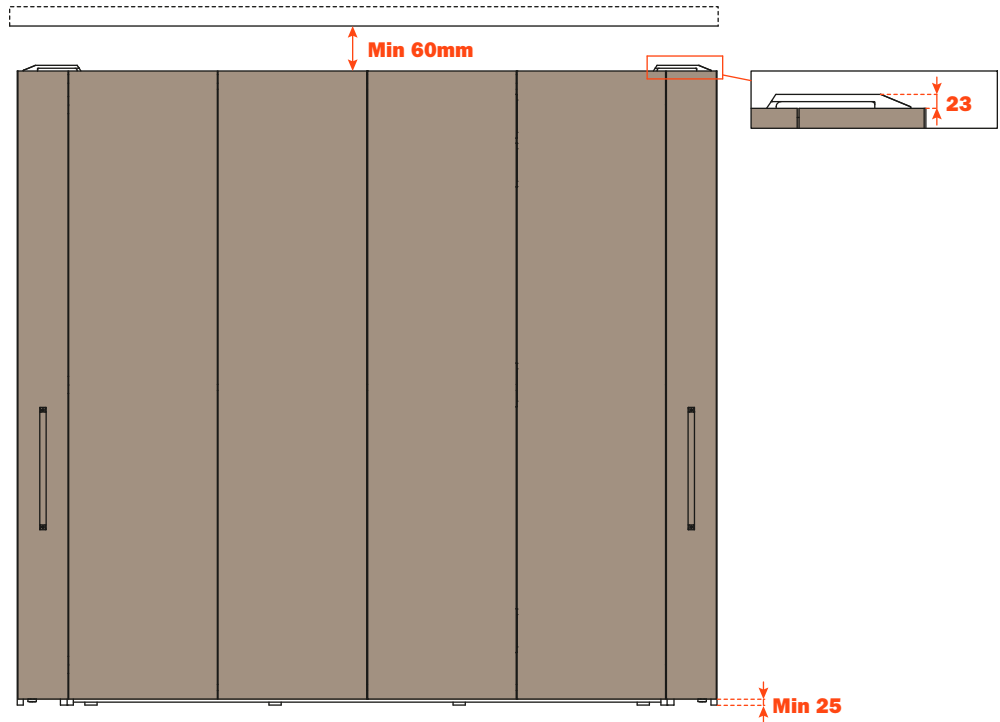
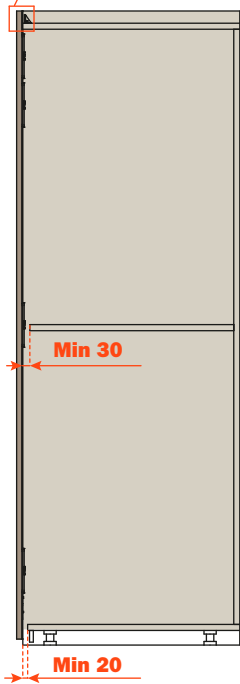
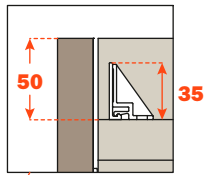
- 1** - Unique patented door opening system. The exterior surfaces of the doors are always protected during the opening and closing cycles.
- 2** - No load-bearing track on the top of the cabinet.
- 3** - Magnetic buffer for assisted cushioned doors insertion.
- 4** - Structural aluminum frame for doors movement.
- 5** - Front insertion of the load-bearing frame facilitating its installation in a wall recess.
- 6** - Side frame to support the lower load-bearing track. All the load is carried by the side panel. The track does not require ground support.
- 7** - Anti-crush device.



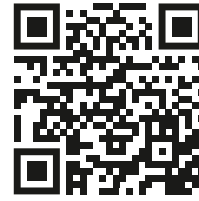
Exedra2 Star



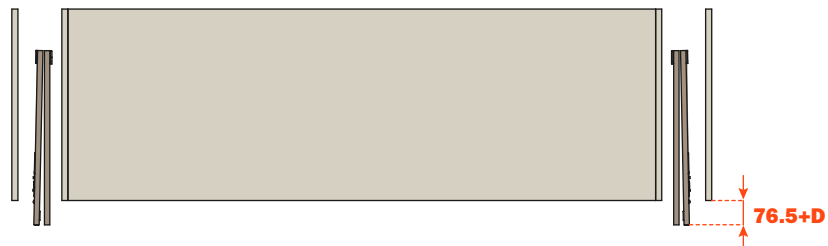
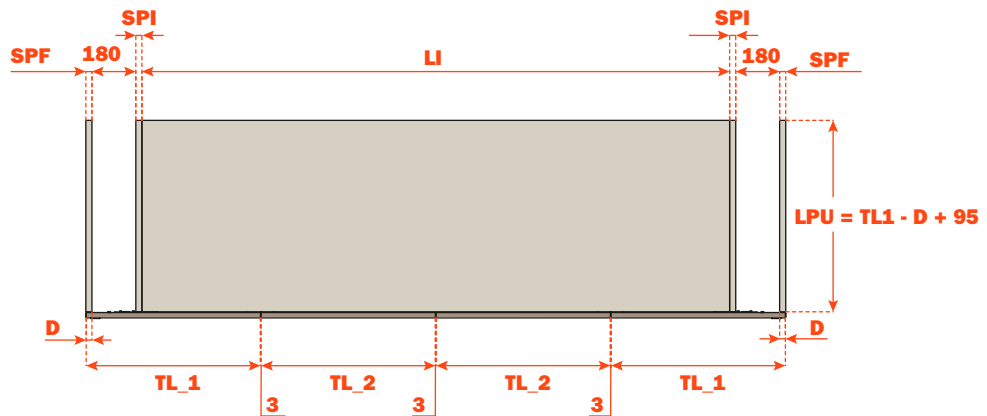
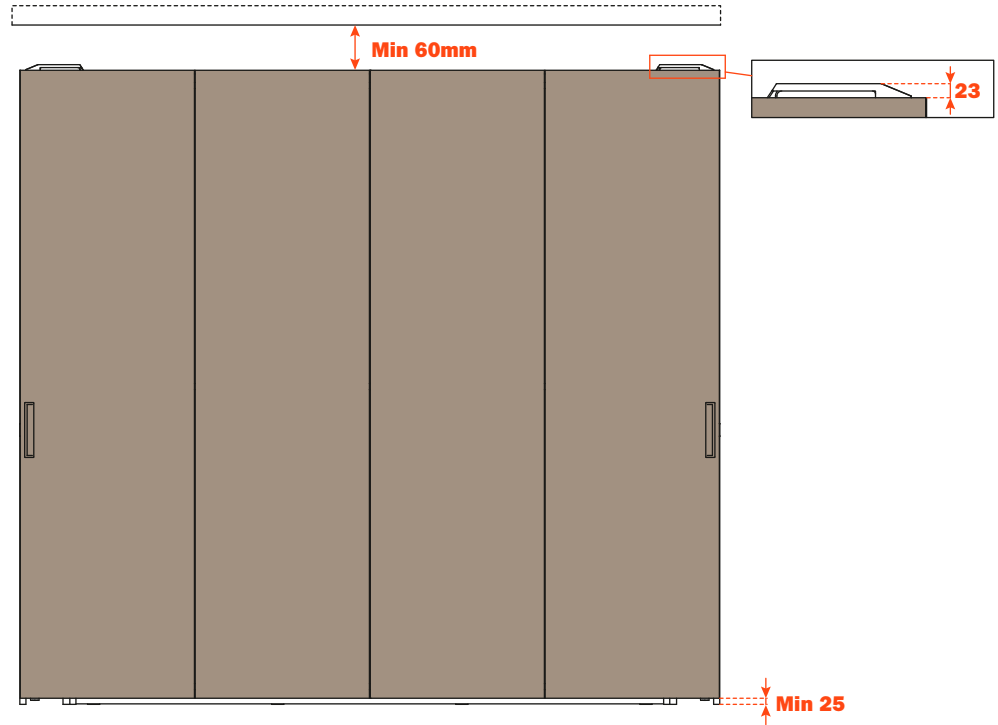
Assembly instructions
and order form



Exedra2 Smart



Assembly instructions
and order form



Exedra2 Assembly and examples

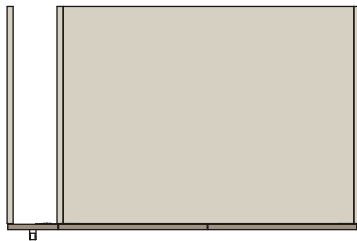
The right mechanism and the left mechanism are independent of each other, therefore it is possible to order them individually. If they are installed on the same cabinet, they must be configured as a pair.

Exedra2 Star is the version where the compartment that houses the mechanism is always hidden by the cover panel which is fixed to the front of the system.

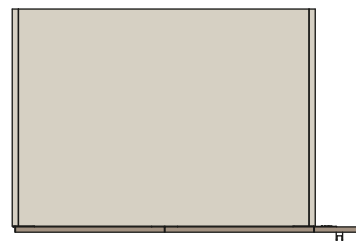
Exedra2 Smart is the version that requires less depth of the cabinet; the door edges are visible when they are folded into their compartment. Both versions are available with the electric Push kit for the opening of handle-less furniture.

Exedra2 Star is the version where the compartment that houses the mechanism is always hidden by the cover panel which is fixed to the front of the system.

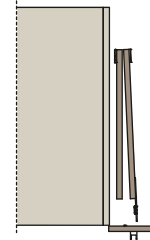
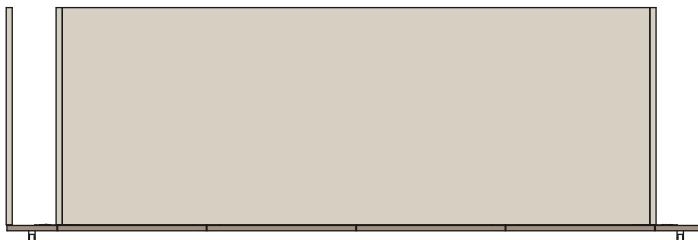
Single door, left mechanism



Single door, right mechanism



Double doors, pair of mechanism (left and right)



Exedra2 Smart is the version that requires less depth of the cabinet; the door edges are visible when they are folded into their compartment.

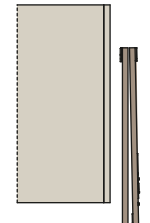
Single door, left mechanism



Single door, right mechanism



Double doors, pair of mechanism (left and right)



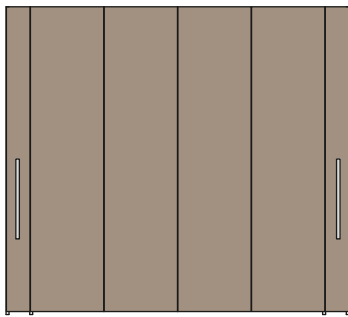
The Exedra2 system is the ideal mechanism in a host of applications. The absence of a front lower track makes it adaptable to any application, from traditional cabinets to walk-in wardrobes.

The system does not necessarily have to be placed on the floor, therefore it is possible to create systems raised from the ground or placed on a cupboard or a chest of drawers.

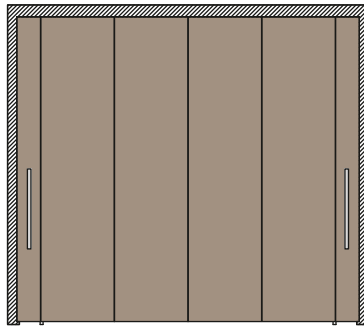
Thanks to the innovative door movement system with its moving load-bearing frame, the weight of the system and the doors is carried solely by the side of the cabinet; the system places no load on the top of the cabinet. As a result, double systems with an enormous free internal span of 3000 mm are possible without requiring a central panel or support.

Exedra2 Star

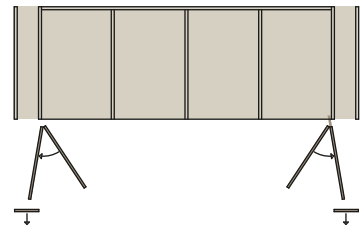
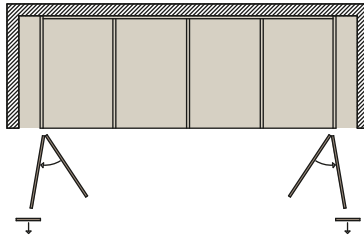
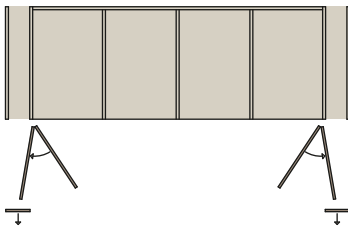
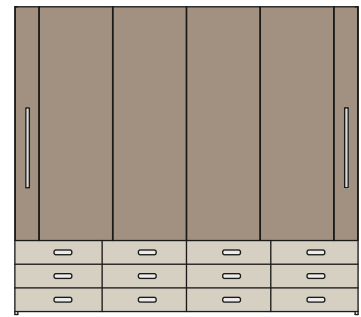
Traditional



In wall recess

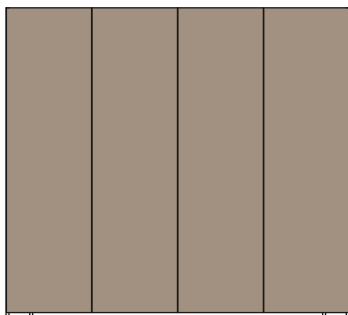


Raised from the ground

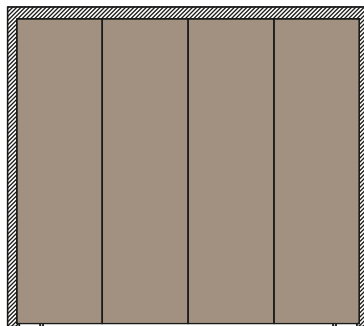


Exedra2 Smart

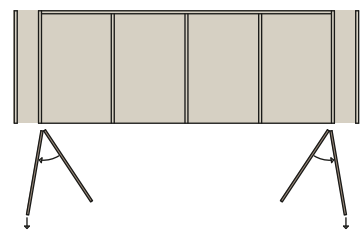
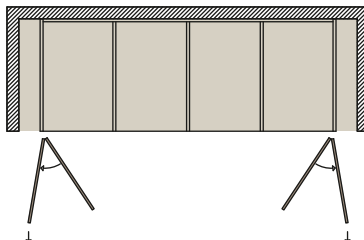
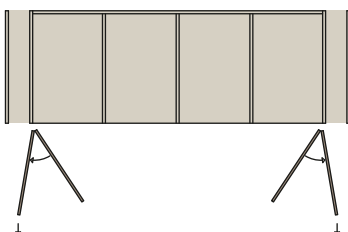
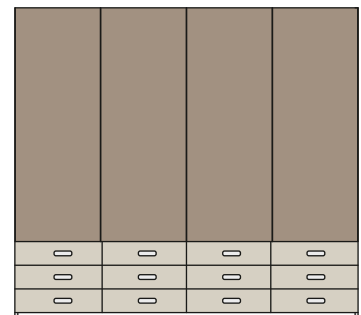
Traditional



In wall recess



Raised from the ground





Optional

Exedra2

Magnets kit to protect doors.

It keeps the minimum distance between the doors as they fold and prevents accidental collision between the doors in case of improper use of the mechanism.

4x	4x	8x	Part number	
			YE56KIT0001	Magnets kit to protect doors

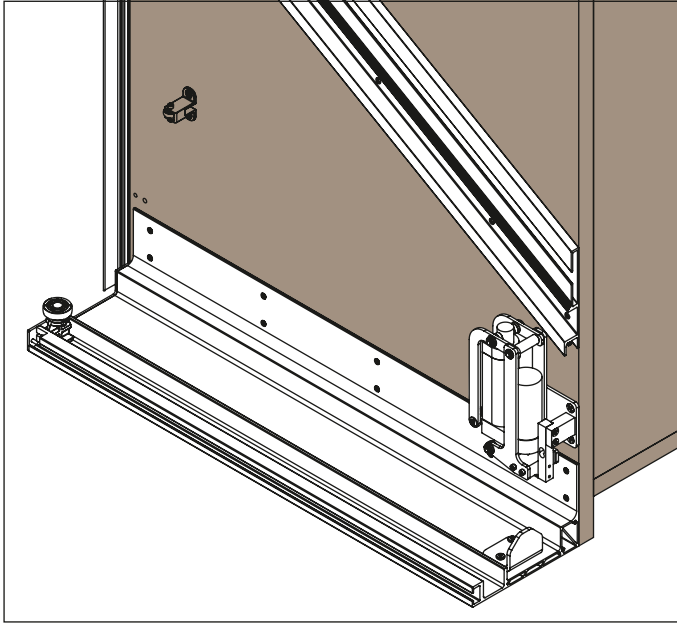
Smove kit for internal door.

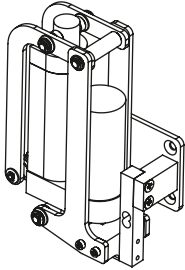
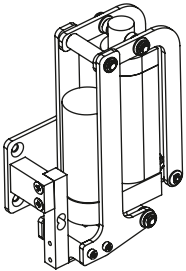
It prevents any impact and/or contact between the internal door and the top of the cabinet during the closing movement.

	Part number	
2x	YE56KIT0002	Smove kit for internal door

Electric Push kit.

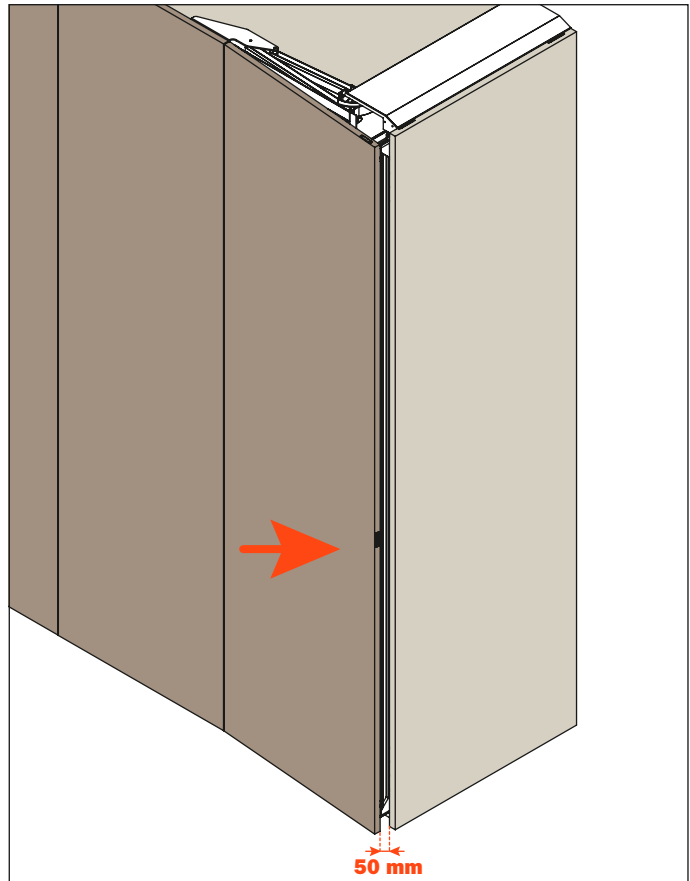
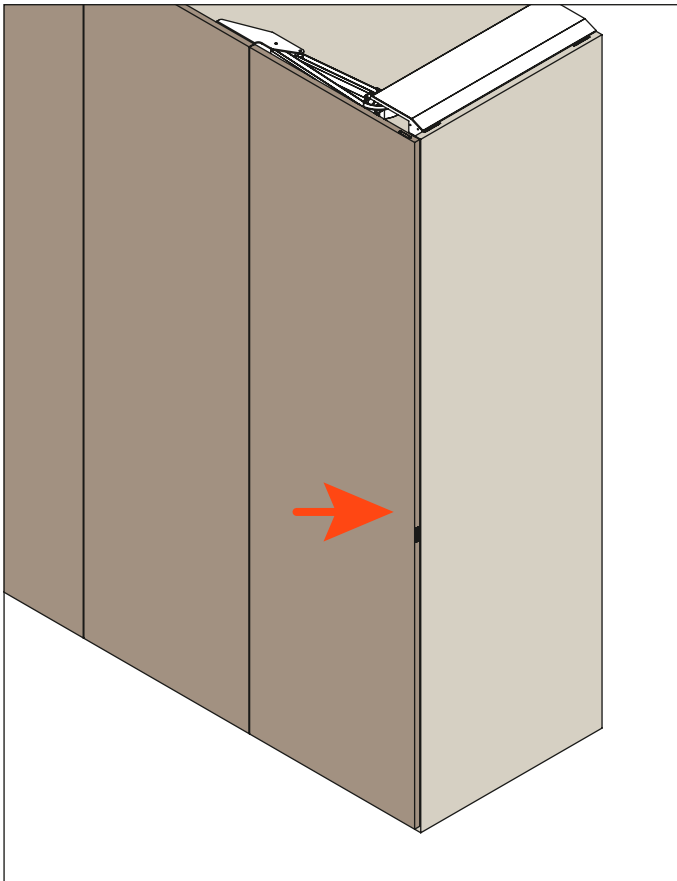
It converts an Exedra2 mechanism from manual to power-assisted opening.



	Part number	
	YE56EPP0010	Electric Push kit right cabinet side
	YE56EPP0020	Electric Push kit left cabinet side

Mode of operation.

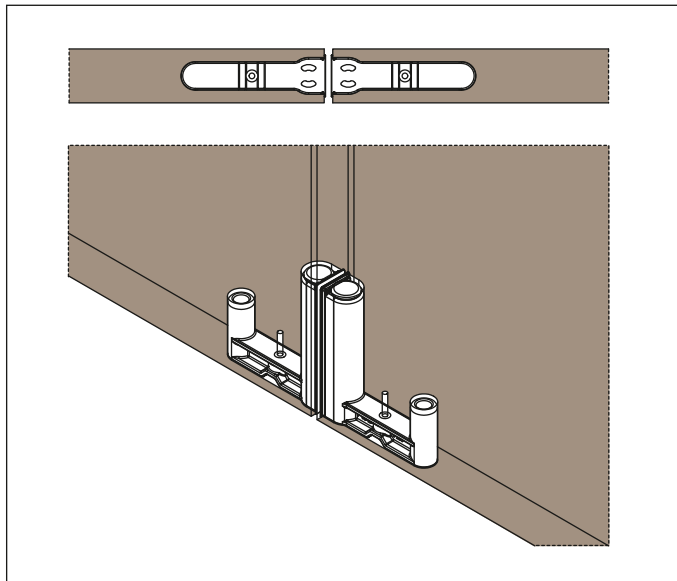
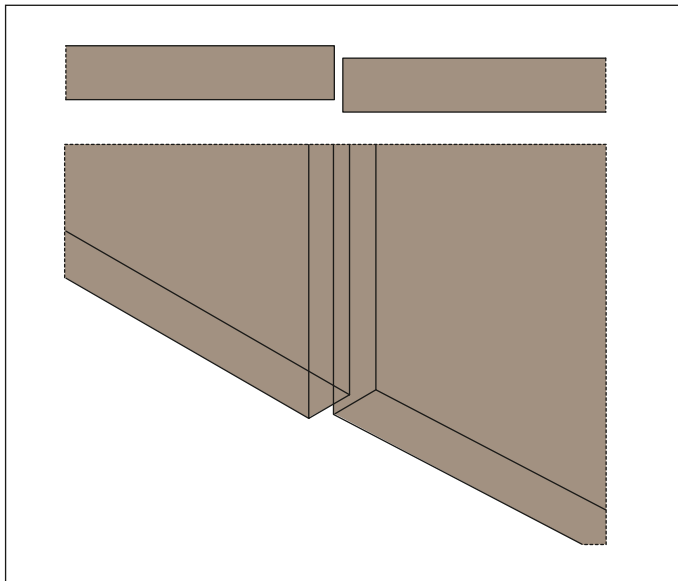
A slight pressure on the external door or on the cover panel activates the electrical system and the door moves outwards by approx. 50 mm. At this point, the opening operation is completed manually. If the opening operation is not completed manually, the external door automatically returns to the fully-closed position after a 10 seconds interval.

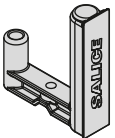


Exedra2

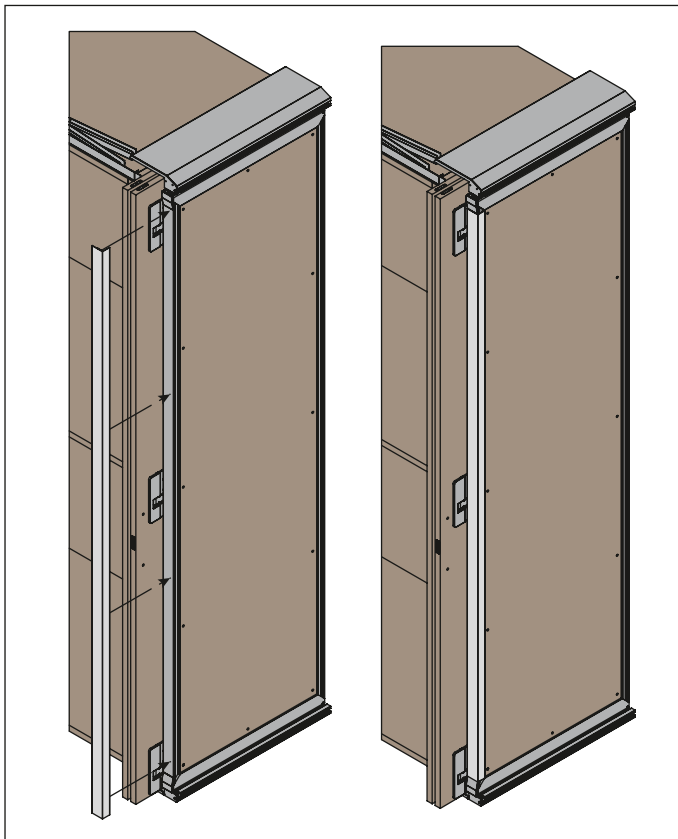
Doors alignment kit.

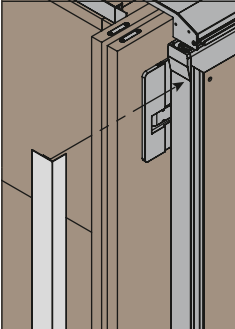
It aligns the doors of a paired Exedra2 (right + left) system.

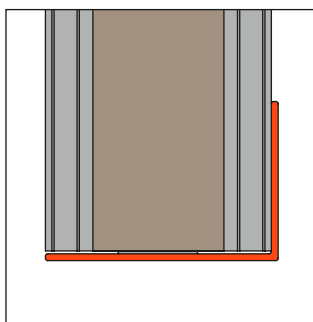


	Part number	
	YE56KIT0003	Doors alignment kit

Frame cover for Exedra2 Smart



	Part number	
	YE56KIT0200A7	Frame cover can be coated by the customer L=2600 mm
	YE56KIT0200S7	Frame cover metal grey L=2600 mm

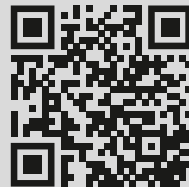


SALICE AMERICA INC.

2123 CROWN CENTRE DRIVE
CHARLOTTE NC. 28227
TEL. 704 841 7810
FAX. 704 841 7808
info.salice@saliceamerica.com
www.saliceamerica.com

SALICE CANADA INC.

3500 RIDGEWAY DRIVE, UNIT#1
MISSISSAUGA, ONTARIO, L5L 0B4
TEL. 905 820 8787
FAX. 905 820 7226
info.salice@salicecanada.com
www.salicecanada.com



Digital contents