



**Lapis**

***SALICE***

UNITED  
STATES  
•  
CANADA



## Index



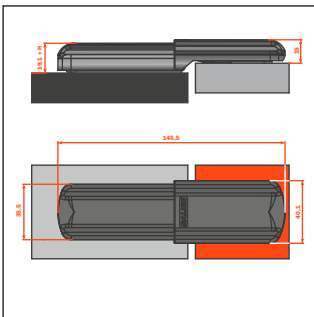
Lapis • Silentia+ • 200 Series hinges for thicker doors • 94° opening page 4

Lapis • Silentia+ • 700 Series hinges • 110° opening page 6

Lapis with Push system hinges • 94° opening page 8



Mounting plates page 10



Hinge overall dimensions and sizes page 11



Assembly and disassembly instructions page 12



Finishes page 15

**Lapis • Silentia+ • 200 Series hinges for thicker doors • 94° opening**



**Technical information**

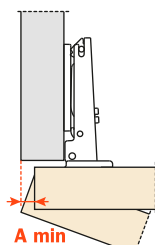
Hinges with adjustable integrated soft-close mechanism operated by fluid dampers housed in the hinge cup. The decelerating effect is adjusted by using a simple switch.

Hinges for min. 18 mm thick doors. 15.5 mm deep cup.

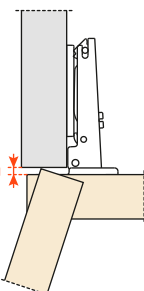
94° opening. Possible drilling distance on the door (K): from 3 to 9 mm.

Adaptable only with In-Line Domi snap-on mounting plates (BAP).

**Space needed to open the door**



T=	19	20	21	22	23	24	25	26	27	28	29	30	31	32	33	34	35
K=3 <b>A=</b>	0.1	0.2	0.3	0.4	0.5	0.7	0.8	1.0	1.6	2.6	3.5	4.5	5.4	6.4	7.4	8.3	9.3
K=4 <b>A=</b>	0.1	0.2	0.3	0.4	0.5	0.7	0.8	1.0	1.2	1.9	2.8	3.8	4.7	5.7	6.6	7.6	8.6
K=5 <b>A=</b>	0.1	0.2	0.3	0.4	0.5	0.7	0.8	1.0	1.2	1.4	2.2	3.1	4.1	5.0	5.9	6.9	7.8
K=6 <b>A=</b>	0.1	0.2	0.3	0.4	0.5	0.6	0.8	1.0	1.2	1.4	1.7	2.6	3.5	4.4	5.3	6.2	7.2
K=7 <b>A=</b>	0.1	0.2	0.3	0.4	0.5	0.6	0.8	1.0	1.1	1.3	1.6	2.1	3.0	3.8	4.7	5.6	6.5
K=8 <b>A=</b>	0.1	0.2	0.3	0.4	0.5	0.6	0.8	0.9	1.1	1.3	1.6	1.8	2.5	3.3	4.2	5.1	6.0
k=9 <b>A=</b>	0.1	0.2	0.3	0.4	0.5	0.6	0.8	0.9	1.1	1.3	1.5	1.8	2.1	2.9	3.7	4.6	5.4



K	3	4	5	6	7	8	9
<b>L=</b>	0.0	0.0	0.0	0.0	0.0	0.3	1.3

The above values are calculated on the assumption that the doors have square edges. They are reduced if the doors have radiussed edges.

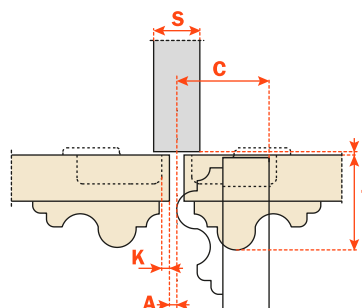
**Projection of the door**

Projection of the door from the cabinet side at the max. opening. The figures are based on a straight arm hinge, H=0 mm thickness of mounting plate and K value = 3 mm.



**“C” value**

With this formula you can obtain the max. thickness of the moulded door that can be opened without touching adjacent cabinet sides, doors or walls, while bearing in mind the above L-K-T values.

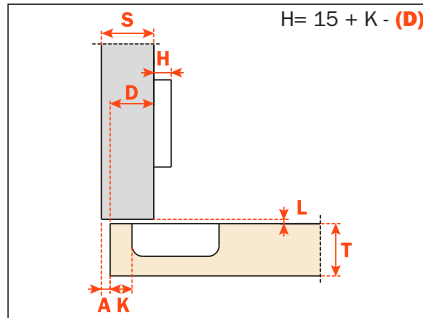


## Packing

Boxes 300 pcs. • Pallets 7.200 pcs.

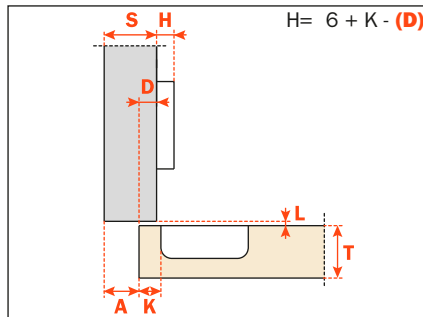
Use these formulas to determine the type of hinge arm, the drilling distance "K" and the height of the mounting plate "H" which is necessary to solve each application problem.

Arm 0 Straight Arm

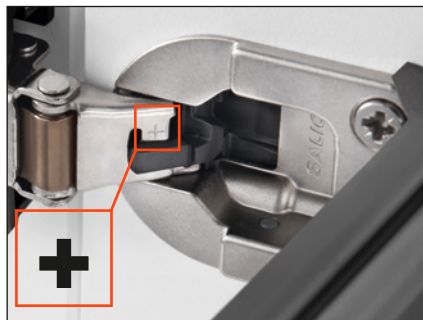
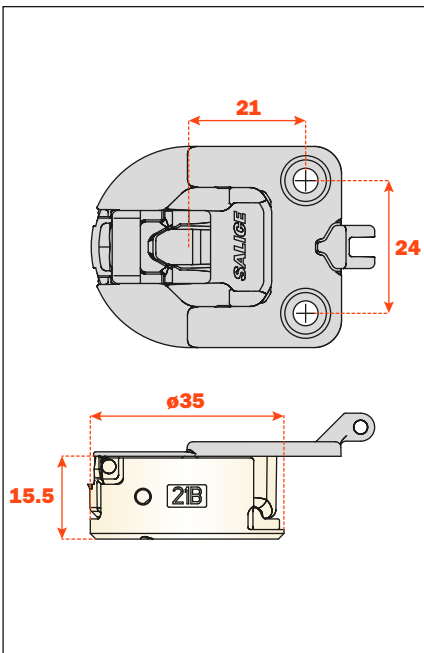


**C21BAE9**

Arm 9 Half overlay



**C21BGE9**



## Lapis • Silentia+ • 700 Series hinges • 110° opening



### Technical information

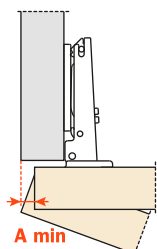
Hinges with adjustable integrated soft-close mechanism operated by fluid dampers housed in the hinge cup. The decelerating effect is adjusted by using a simple switch.

Hinges for min. 16 mm thick doors.  
13.5 mm deep cup.

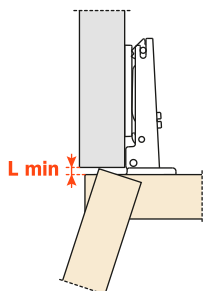
110° opening.  
Possible drilling distance on the door (K): from 3 to 6 mm.

Adaptable only with In-Line Domi snap-on mounting plates (BAP).

### Space needed to open the door



	T=	16	17	18	19	20	21	22	23	24	25	26
K=3	<b>A=</b>	0.7	0.9	1.1	1.3	1.6	1.9	2.2	2.6	3.2	4.4	5.7
K=4	<b>A=</b>	0.6	0.8	1.1	1.3	1.6	1.8	2.2	2.5	2.9	3.4	4.7
K=5	<b>A=</b>	0.6	0.8	1.0	1.3	1.5	1.8	2.1	2.4	2.8	3.2	3.7
K=6	<b>A=</b>	0.6	0.8	1.0	1.2	1.5	1.8	2.1	2.4	2.7	3.1	3.6



	T=	16	17	18	19	20	21	22	23	24	25	26
K=3	<b>L=</b>	0.0	0.0	0.0	0.0	0.0	0.0	0.0	0.2	0.4	0.6	0.9
K=4	<b>L=</b>	0.0	0.0	0.0	0.3	0.5	0.7	0.9	1.1	1.4	1.6	1.8
K=5	<b>L=</b>	0.6	0.8	1.0	1.2	1.5	1.7	1.9	2.1	2.4	2.6	2.8
K=6	<b>L=</b>	1.5	1.8	2.0	2.2	2.4	2.7	2.9	3.1	3.3	3.6	3.8

The above values are calculated on the assumption that the doors have square edges. They are reduced if the doors have radiused edges.

### Projection of the door

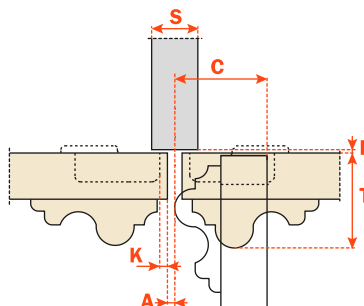
Projection of the door from the cabinet side at the max. opening. The figures are based on a straight arm hinge, H=0 mm thickness of mounting plate and K value = 3 mm.



### “C” value

With this formula you can obtain the max. thickness of the moulded door that can be opened without touching adjacent cabinet sides, doors or walls, whilst bearing in mind the above L-K-T values.

$$C = 22.5 + K + A$$

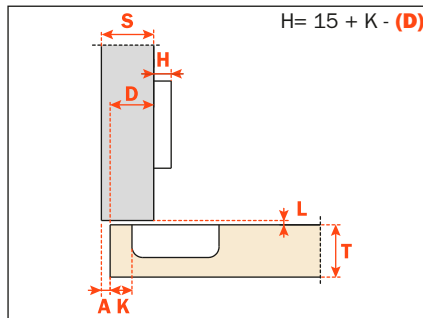


## Packing

Boxes 300 pcs. • Pallets 7.200 pcs.

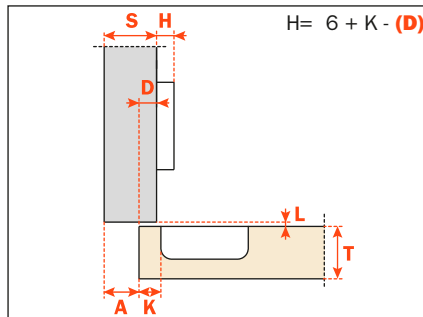
Use these formulas to determine the type of hinge arm, the drilling distance "K" and the height of the mounting plate "H" which is necessary to solve each application problem.

Arm 0 Straight Arm

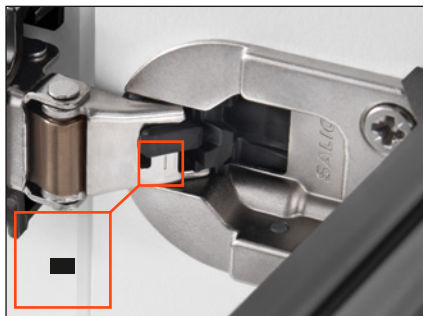
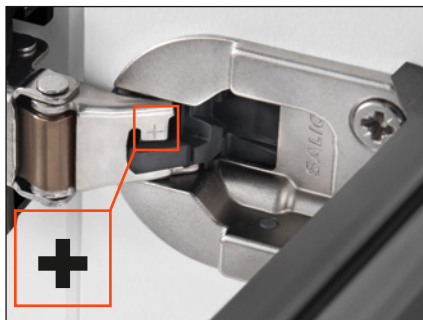
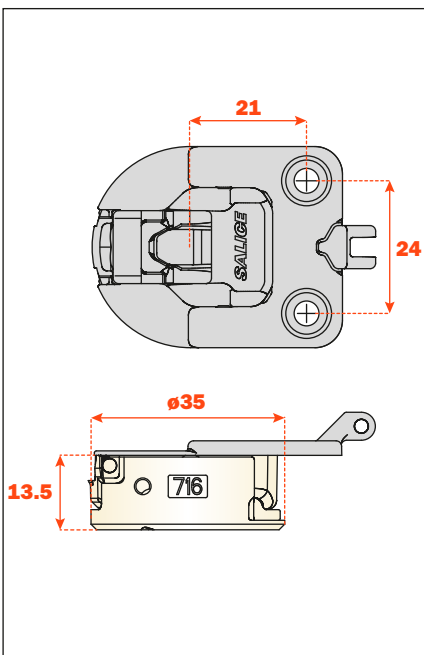


**C716AE9**

Arm 9 Half overlay



**C716GE9**



**Lapis • Push • 200 Series hinges for thicker doors • 94° opening**



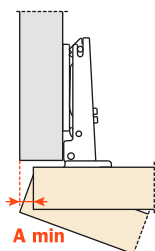
**Technical information**

**Push hinges are equipped with a special spring that acts to open the door independently of the release device.**

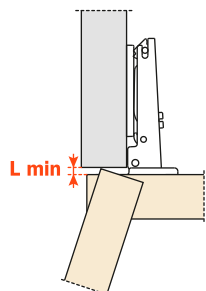
For thick doors up to 35 mm, with special profiles.  
 11 mm deep metal cup.  
 94° opening.  
 Possible drilling distance on the door (K): from 3 to 9 mm.

**Adaptable only with In-Line Domi snap-on mounting plates (BAP).**

**Space needed to open the door**



T=	19	20	21	22	23	24	25	26	27	28	29	30	31	32	33	34	35
K=3 <b>A=</b>	0.1	0.2	0.3	0.4	0.5	0.7	0.8	1.0	1.6	2.6	3.5	4.5	5.4	6.4	7.4	8.3	9.3
K=4 <b>A=</b>	0.1	0.2	0.3	0.4	0.5	0.7	0.8	1.0	1.2	1.9	2.8	3.8	4.7	5.7	6.6	7.6	8.6
K=5 <b>A=</b>	0.1	0.2	0.3	0.4	0.5	0.7	0.8	1.0	1.2	1.4	2.2	3.1	4.1	5.0	5.9	6.9	7.8
K=6 <b>A=</b>	0.1	0.2	0.3	0.4	0.5	0.6	0.8	1.0	1.2	1.4	1.7	2.6	3.5	4.4	5.3	6.2	7.2
K=7 <b>A=</b>	0.1	0.2	0.3	0.4	0.5	0.6	0.8	1.0	1.1	1.3	1.6	2.1	3.0	3.8	4.7	5.6	6.5
K=8 <b>A=</b>	0.1	0.2	0.3	0.4	0.5	0.6	0.8	0.9	1.1	1.3	1.6	1.8	2.5	3.3	4.2	5.1	6.0
K=9 <b>A=</b>	0.1	0.2	0.3	0.4	0.5	0.6	0.8	0.9	1.1	1.3	1.5	1.8	2.1	2.9	3.7	4.6	5.4



K=	3	4	5	6	7	8	9
<b>L=</b>	0.0	0.0	0.0	0.0	0.0	0.3	1.3

**The above values are calculated on the assumption that the doors have square edges. They are reduced if the doors have radiused edges.**

**Projection of the door**

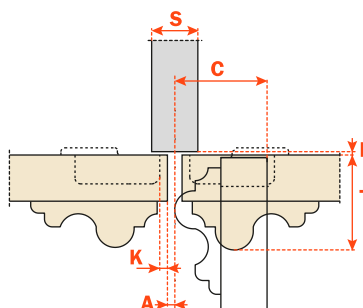
Projection of the door from the cabinet side at the max. opening. The figures are based on a straight arm hinge, H=0 mm thickness of mounting plate and K value = 3 mm.



**“C” value**

With this formula you can obtain the max. thickness of the moulded door that can be opened without touching adjacent cabinet sides, doors or walls, whilst bearing in mind the above L-K-T values.

**C=23 + K + A**

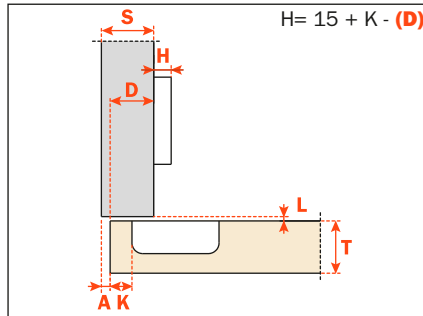
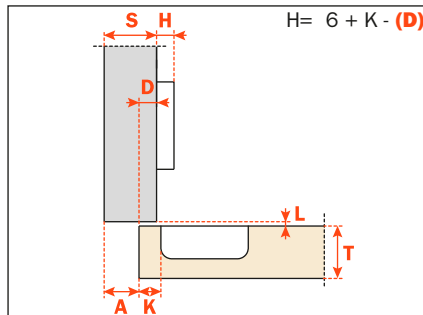
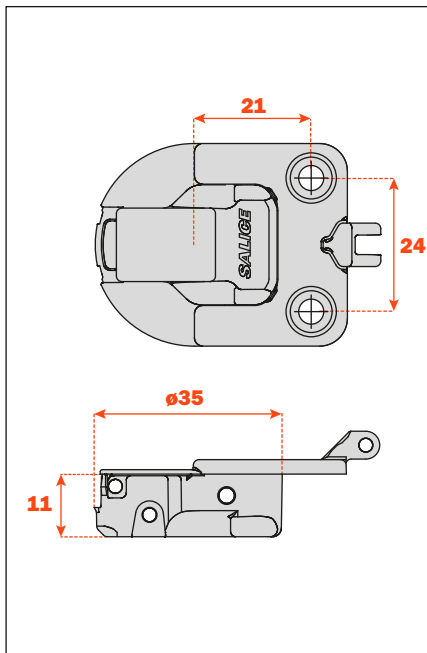




**Packing**

Boxes 300 pcs. • Pallets 7.200 pcs.

Use these formulas to determine the type of hinge arm, the drilling distance “K” and the height of the mounting plate “H” which is necessary to solve each application problem.

**Arm 0 Straight Arm**

**C21VA99**
**Arm 9 Half overlay**

**C21VG99**


For the complete range of release devices and retaining catches consult Salice general catalogue.

**Lapis • Domi In-Line snap-on mounting plates**

**Packing**

Boxes 300 pcs. • Pallets 7.200 pcs.

- 21+32 mm drilling.
- Depth and height adjustment by cam.

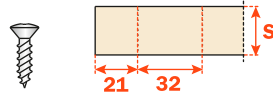
**BAP3R**



Die-cast mounting plates.  
Fixing: wood screw.

B 3.5 DIN 7983.

H= 0 1 2 3 4 5 6

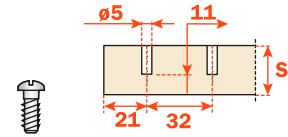


**BAPGR**



Die-cast mounting plates.  
Fixing: Euro screw.  
Drilling  $\varnothing 5 \times 11$ .

H= 0 1 2 3 4 5 6

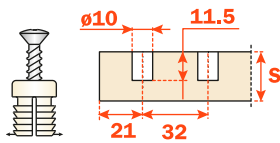


**BAPMR**

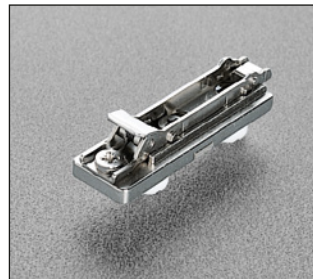


Die-cast mounting plates.  
Fixing: expanding dowel.  
Drilling  $\varnothing 10 \times 11.5$  mm.

H= 0 1 2 3 4 5 6

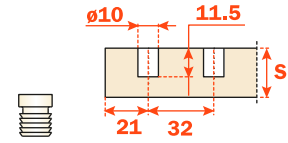


**BAP7R**



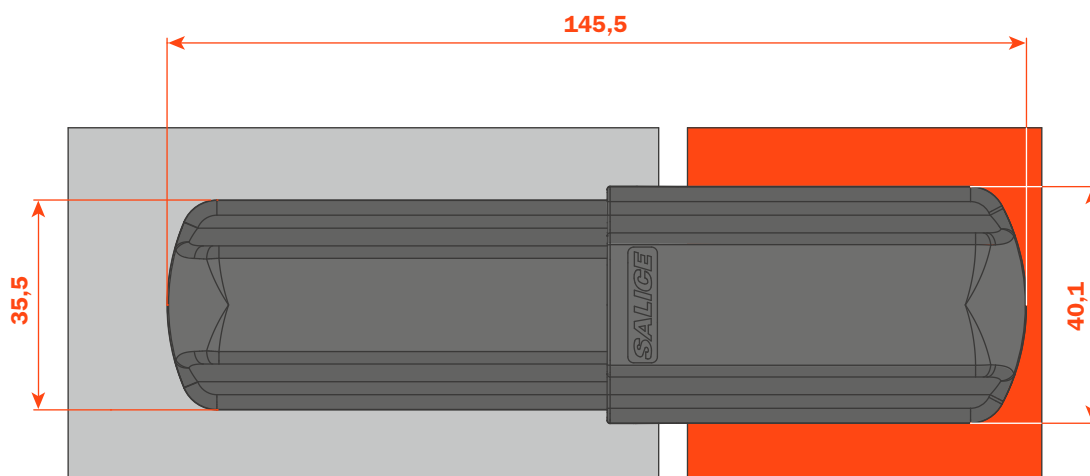
Die-cast mounting plates.  
Fixing: knock-in dowel.  
Drilling  $\varnothing 10 \times 11.5$  mm.

H= 0 1 2 3 4 5 6

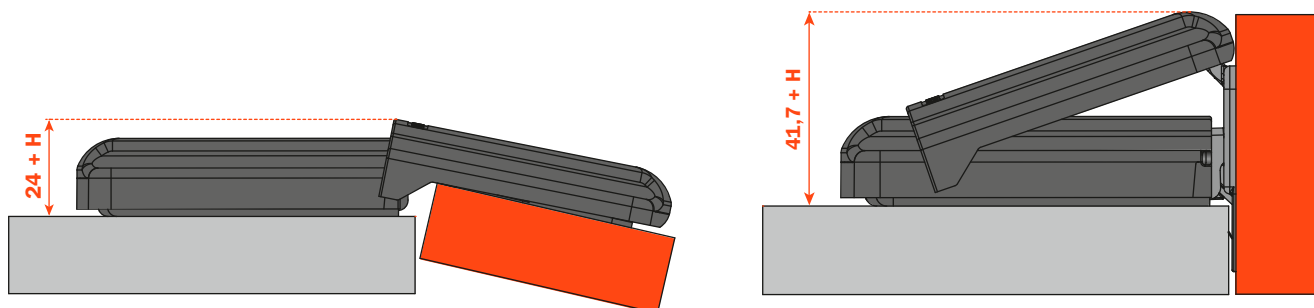


**Use mounting plates with 6 mm maximum height**

## Technical information • overall dimensions

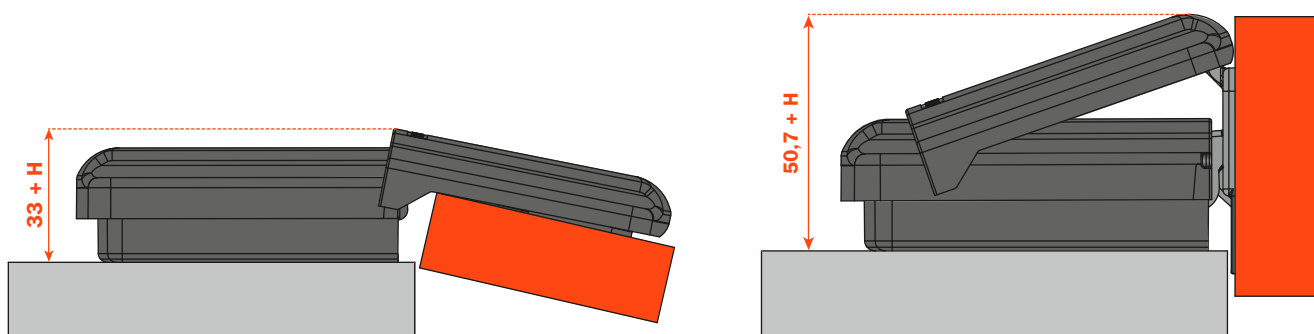


### Lapis hinge - 0 arm - 0 mounting plate



**H** = mounting plate height

### Lapis hinge - 9 arm - 0 mounting plate



**H** = mounting plate height

## Assembly instructions

After attaching the mounting plate, attach the skirt.

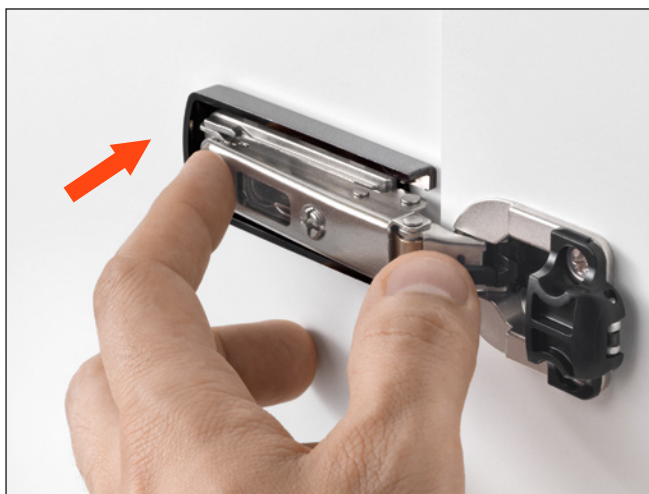


Attached skirt.



Clip the hinge onto the mounting plate.

**ATTACHMENT OF THE HINGE ARM COVER**



Clip the cover onto the hinge arm.

Press to clip the cover.



## ATTACHMENT OF THE DOOR SIDE COVER

Lift the carrier.



Half-close the door to ensure that the covers are engaged correctly.



## Disassembly instructions

Half-close the door and lift the cover.

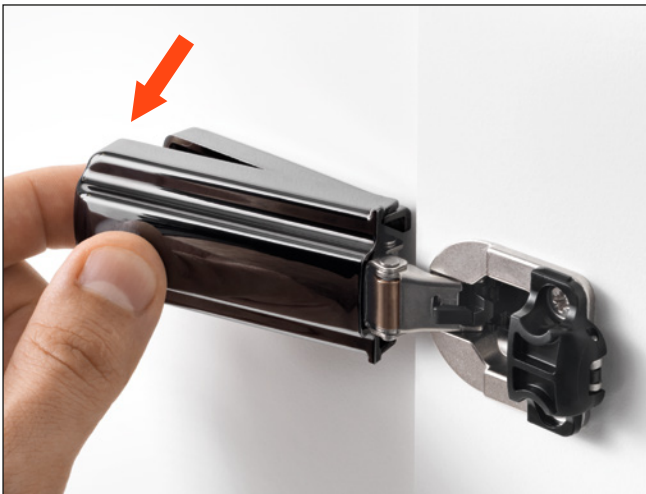


Remove the cabinet side cover.

Open the door and push the cover firmly in the direction indicated.



Unclip the hinge from the mounting plate.



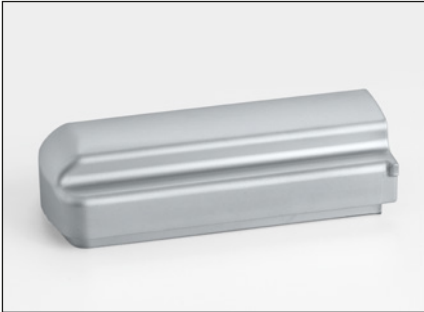
Remove the skirt.



## Finishes

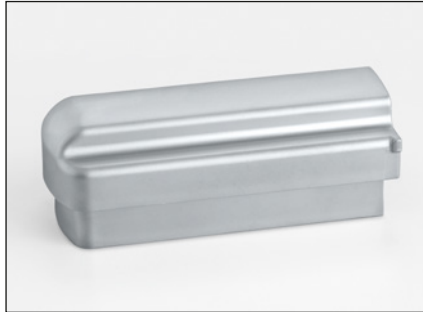
### **P7A0A09** **SATIN CHROME**

Lapis cabinet side - Arm 0



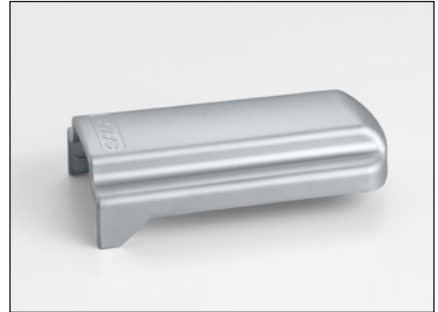
### **P7A9A09** **SATIN CHROME**

Lapis cabinet side - Arm 9



### **P7SXA09SN** **SATIN CHROME**

Lapis door side



### **P7A0A10** **SATIN METAL BLACK**

Lapis cabinet side - Arm 0



### **P7A9A10** **SATIN METAL BLACK**

Lapis cabinet side - Arm 9



### **P7SXA10SN** **SATIN METAL BLACK**

Lapis door side



### **P7A0A1W** **SATIN GOLD**

Lapis cabinet side - Arm 0



### **P7A9A1W** **SATIN GOLD**

Lapis cabinet side - Arm 9



### **P7SXA1WSN** **SATIN GOLD**

Lapis door side



### **P7A0A0C** **CHAMPAGNE**

Lapis cabinet side - Arm 0



### **P7A9A0C** **CHAMPAGNE**

Lapis cabinet side - Arm 9



### **P7SXA0CSN** **CHAMPAGNE**

Lapis door side

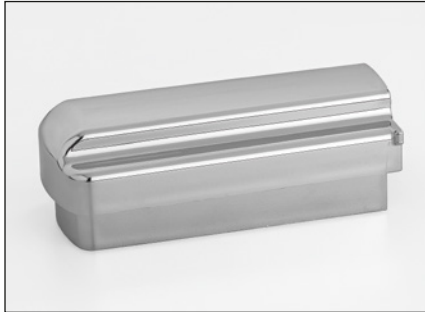


**Finishes****P7A0A06  
GLOSSY CHROME**

Lapis cabinet side - Arm 0

**P7A9A06  
GLOSSY CHROME**

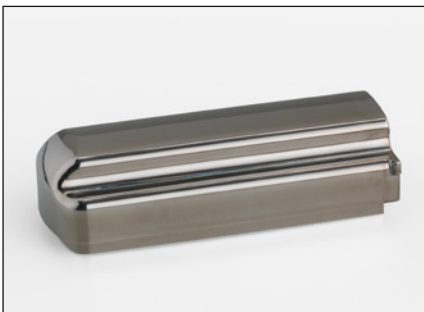
Lapis cabinet side - Arm 9

**P7SXA06SN  
GLOSSY CHROME**

Lapis door side

**P7A0A0N  
GLOSSY METAL BLACK**

Lapis cabinet side - Arm 0

**P7A9A0N  
GLOSSY METAL BLACK**

Lapis cabinet side - Arm 9

**P7SXA0NSN  
GLOSSY METAL BLACK**

Lapis door side

**P7A0A0I  
STAINLESS STEEL**

Lapis cabinet side - Arm 0

**P7A9A0I  
STAINLESS STEEL**

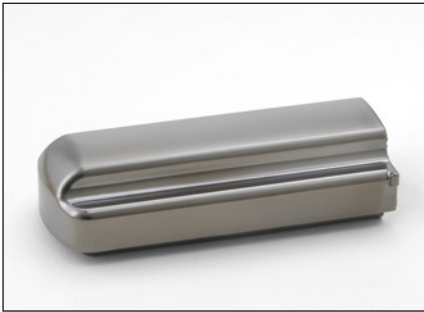
Lapis cabinet side - Arm 9

**P7SXA0ISN  
STAINLESS STEEL**

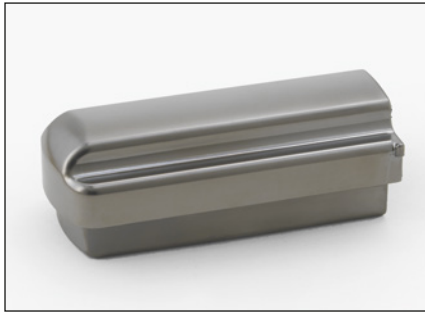
Lapis door side

**P7A0A05  
GRAPHITE**

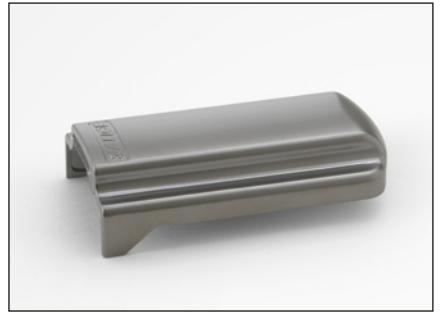
Lapis cabinet side - Arm 0

**P7A9A05  
GRAPHITE**

Lapis cabinet side - Arm 9

**P7SXA05SN  
GRAPHITE**

Lapis door side





**P7A0A08**  
**GLOSSY GOLD**

Lapis cabinet side - Arm 0



**P7A9A08**  
**GLOSSY GOLD**

Lapis cabinet side - Arm 9



**P7SXA08SN**  
**GLOSSY GOLD**

Lapis door side



**P7A0A07**  
**OLD BRASS**

Lapis cabinet side - Arm 0



**P7A9A07**  
**OLD BRASS**

Lapis cabinet side - Arm 9



**P7SXA07SN**  
**OLD BRASS**

Lapis door side



**P7A0AA3**  
**BLACK**

Lapis cabinet side - Arm 0



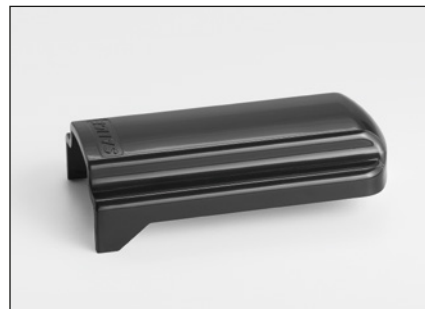
**P7A9AA3**  
**BLACK**

Lapis cabinet side - Arm 9



**P7SXAA3SN**  
**BLACK**

Lapis door side



**P7A0A11**  
**MATTE WHITE**

Lapis cabinet side - Arm 0



**P7A9A11**  
**MATTE WHITE**

Lapis cabinet side - Arm 9



**P7SXA11SN**  
**MATTE WHITE**

Lapis door side







**SALICE AMERICA INC.**

2123 CROWN CENTRE DRIVE  
CHARLOTTE NC. 28227  
TEL. 704 8417810  
FAX. 704 8417808  
info.salice@saliceamerica.com  
www.saliceamerica.com

**SALICE CANADA INC.**

3500 RIDGEWAY DRIVE, UNIT#1  
MISSISSAUGA, ONTARIO, L5L 0B4  
TEL. 905 8208787  
FAX. 905 8207226  
info.salice@salicecanada.com  
www.salicecanada.com

**We reserve all rights to this catalogue under copyright law. It shall not be permissible to duplicate this catalogue in any form either in whole or in part without our written consent. The technical specifications in this catalogue as photographs and drawings are not binding. We assume no liability for any misprints or errors that might occur in this catalogue.**

**We reserve the right to change technical specifications without notice.**

**Lapis design: Arch. Giulio Manzoni**